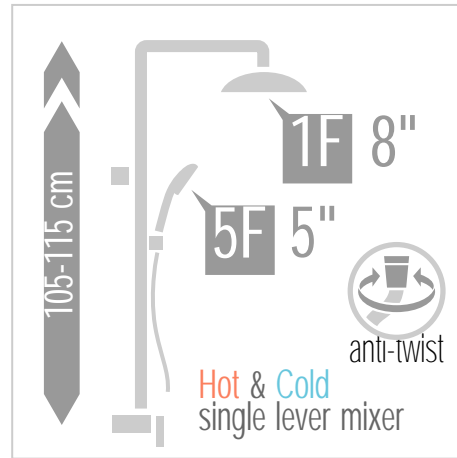


BSR31 Rain shower set - Single lever mixer, 8" shower head (Brass ball joint), 5" 5 functions hand shower, Anti-twist stainless steel hose



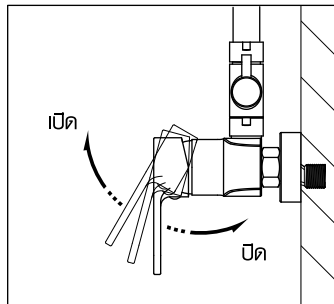
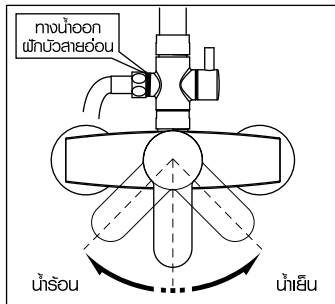
Hand shower functions



- 2.0-3.0 liter per minute
 - 2.0-3.0 liter per minute

1. Turn the shower handle to the 'OFF' position to stop the water flow.
2. Turn the shower handle to the 'ON' position to start the water flow.
3. Turn the shower handle to the 'HOT' position to increase the water temperature.
4. Turn the shower handle to the 'COLD' position to decrease the water temperature.
5. Turn the shower handle to the 'MIX' position to adjust the water temperature to your preference.
6. Turn the shower handle to the 'STOP' position to stop the water flow.

- 2.0-3.0 liter per minute
 - 2.0-3.0 liter per minute



1. Turn the shower handle to the 'OFF' position to stop the water flow.
2. Turn the shower handle to the 'ON' position to start the water flow.